

# Ultra Compact Ethernet Serial Servers

## VESR900 Series - Copper Models

B+B SMARTWORX

Powered by

ADVANTECH

[www.advantech-bb.com](http://www.advantech-bb.com)



### PRODUCT FEATURES

- Ethernet enable RS-232/422/485 serial devices
- Direct IP, virtual COM port or paired mode
- Industrial 10 - 48 VDC input power
- Wide operating temperature – -40 to +80 °C
- UL Class 1/Division 2
- Ethernet pass-through port optional (VESR92x models)
- NEMA TS2 (VESR901 model)

Take control of your serial devices with Vlinx™ VESR9xx Industrial Ethernet Serial Servers. If it has a serial port, it can be monitored and controlled from anywhere on your Ethernet LAN or WAN. Keep at maximum productivity without leaving your office. Even troubleshoot it from outside your LAN via the internet. The easy-to-use Vlinx™ Manager software puts access to your entire factory floor on your desk. Configure devices, upgrade firmware and monitor activity. Configuration changes can also be made using a web browser.

The VESR92x Series also features an additional copper RJ45 port that allows you to connect another Ethernet device or PC work-station. This pass-through port functions much like an unmanaged switch.

Heartbeat connectivity keeps the serial server online. If connectivity is lost, it attempts to reconnect every five seconds until connection is regained. A manual reboot is not needed when communications are restored.

Fiber options are also available - contact B+B SmartWorx.

### ORDERING INFORMATION

MODEL NUMBER	SERIAL PORTS	SERIAL CONNECTORS	ETHERNET MEDIA	ETHERNET CONNECTORS
VESR901*	1	DB9 & TB	Category 5	RJ45
VESR902D	2	DB9	Category 5	RJ45
VESR902T	2	TB	Category 5	RJ45
VESR921	1	DB9 & TB	Category 5	(2) RJ45
VESR922T	2	TB	Category 5	(2) RJ45

\* NEMA TS2

### ACCESSORIES

**MDR-40-24** - 24VDC DIN Rail Mount Power Supply, 1.7 A Output Power

**DRPM25** - 35mm DIN Rail to Panel Mount Adapter Bracket

**TBKT2** - (1) 5-position, 5.08 mm, Replacement Terminal Block

**TBKT1** - (1) 2-position, 5.08 mm, Replacement Terminal Block

All product specifications are subject to change without notice.  
VESR900 Series\_0918ds

B+B SMARTWORX

Powered by

ADVANTECH

orders@advantech-bb.com |  
eSales@advantech-bb.com

Headquarters: 707 Dayton Rd, PO Box 1040 Ottawa, IL 61350 USA (815)433-5100 or (800)346-3119/Toll Free Fax (815)433-5104  
European Office: Westlink Commercial Pk, Oranmore Co. Galway Ireland +353 91 792444 Fax +353 91 792445

# Ultra Compact Ethernet Serial Servers

## VESR900 Series - Copper Models

VESR922T



### SPECIFICATIONS

#### SERIAL TECHNOLOGY

RS-232	TD, RD, RTS, CTS, DTR, DSR, DTD, GND
RS-485 2-Wire	Data A(-), Data B(+), GND
RS-422/485 4-Wire	TDA(-), TDB(+), RDA(-), RDB(+), GND
Serial Connector	DB9M or Removable Terminal Blocks
Data Rate	Up to 230.4 Kbps

#### POWER

Source	External
Input Voltage	10 to 48 VDC (58 VDC, maximum)
Connector	Removable Terminal Block (12 – 28 AWG)
Power Consumption	VESR90x: 4.0 Watts, maximum VESR92x: 6.0 Watts, maximum

#### MECHANICAL

LED Indicators	Serial Port, Ethernet Link, Ready
Switches	Reset Button
Dimensions	VESR90x: 11.94 x 8.03 x 2.96 cm (4.70 x 3.16 x 1.16 in) VESR92x: 14.86 x 10.11 x 2.96 cm (5.85 x 3.98 x 1.16 in)
Enclosure	35mm DIN mount, Plastic, IP 30
Weight	VESR90x: 149.7 g (0.33 lb) VESR92x: 204.1 g (0.45 lb)

#### ENVIRONMENTAL

Operating Temperature	-40 to 80 °C (-40 to 176 °F)
Operating Humidity	0 to 95% Non-condensing

#### MEANTIME BEFORE FAILURE (MTBF)

MTBF	VESR901: 873201 hours VESR902D, VESR902T: 700618 hours VESR921: 418435 hours VESR922T: 375122 hours
MTBF Calc. Method	Parts Count Reliability Prediction

#### NETWORK

Serial Memory	8 KB per port
Network Memory	4 KB

#### NETWORK COMMUNICATIONS

LAN	10/100 Mbps Auto-detecting, 10BaseT or 100BaseTX
-----	--

#### NETWORK PHYSICAL LAYER STANDARDS

Ethernet	IEEE 802.3 auto detecting & auto MDI/MDX, 10BaseT & 100Base TX
----------	--

#### PROTOCOLS

Protocols	TCP, IPv4, UDP, ARP, HTTP 1.0, ICMP/PING, DHCP/BOOTP
IP Mode	Static, DHCP
TCP/UDP	User definable

#### OTHER

Connection Mode	Server, Client, VCOM, Paired
Client Connection	At power up or upon data arrival
Search	Serial direct COM and Ethernet Auto Search or specific IP
Diagnostics	Display PC IP, ping, test VCOM, save test config (text readable)
Firmware Upgrade	Vlinx Manager

#### ETHERNET PASS-THROUGH PORT (VESR92X)

Standards	IEEE 802.3, 802.3u, 802.3x
Processing Type	Store and Forward with 802.3x full duplex, non -locking flow control
Flow Control	IEEE 802.3x flow control, back pressure flow control
MAC Address Table	2K

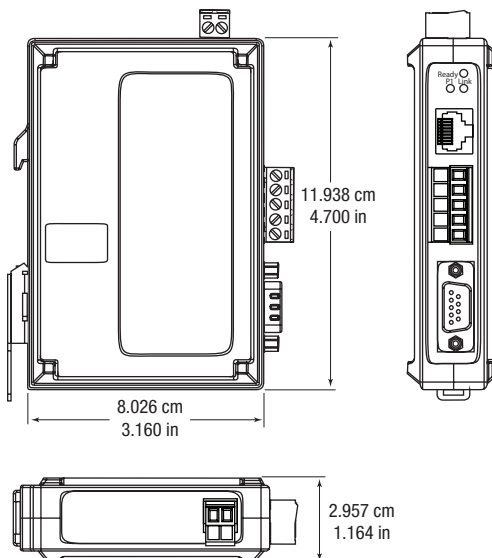
#### CONFIGURATION SOFTWARE

Vlinx Manager	Windows 2000, XP (32/64 bit), 2003 Server (32/64 bit), Vista (32/64 bit), 2008 Server (32/64 bit), 7 (32/64 bit), 10 (32/64 bit)
---------------	--

#### APPROVALS, DIRECTIVES, STANDARDS

Approvals	FCC, CE, NEMA TS2 (Model# VESR901)
Directives	2014/30/EU - Electromagnetic Compatibility Directive 2011/65/EU - Reduction of Hazardous Substances Directive (RoHS) 2012/19/EU - Waste Electrical and Electronic Equipment (WEEE)
Standards (EMC)	EN 55032 Class B - Electromagnetic Compatibility of Multimedia Equipment - Emission Requirements EN 55024 - Information Technology Equipment - Immunity Characteristics - Limits and Methods of Measurement EN 61000-6-1 - Generic Immunity Standard for Residential, Commercial and Light-industrial Environments EN 61000-6-2 - Generic Standard - Immunity for (Heavy-) Industrial Environments

### MECHANICAL DIAGRAM - VESR90x Models



### MECHANICAL DIAGRAM - VESR92x Models

